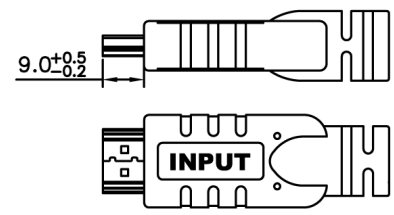
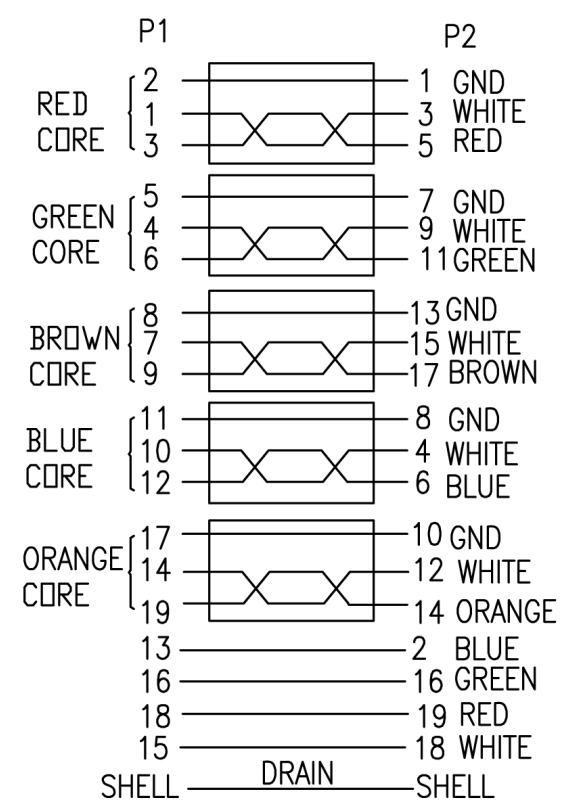
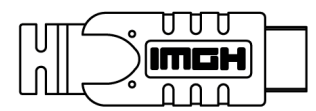


WEIGHT	CUSTOMER NO.:	REMARK
1750g-K7		

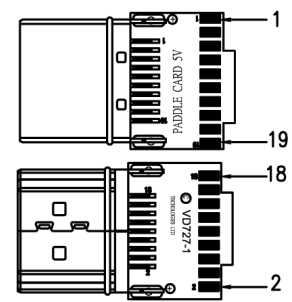
PINOUT:



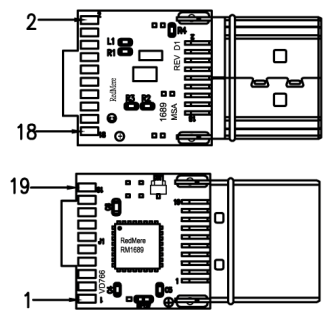
P1 (HDMI A/M)



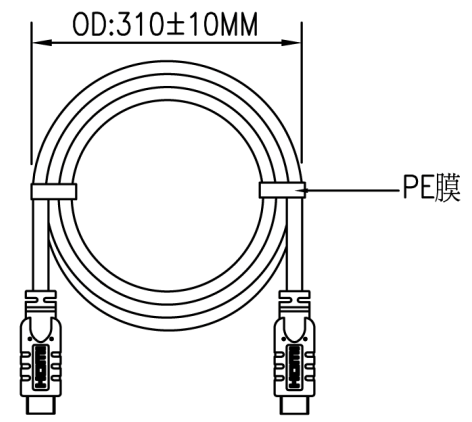
P2 (PCB)



HDMI A/M(P1)



PCB(P2)



- NOTE:
- 1) PRIMARY DIM: A
  - 2) DIE NO. :OD19Z32
  - 3) 用PE FOIL包扎.
  - 4) 插頭大邊帶"**HDMI**" LOGO, 帶IC端成型小邊帶"OUTPUT" LOGO, 不帶IC端小邊帶"INPUT" LOGO.
  - 5) 產品符合RoHS標準.

4	OUTER JACKET PVC 45Pa BLACK(1101) (ROHS)
3	HDMI ACTIVE MODULE (D1 REV PRA1689.V3) ROHS
2	HDMI Paddle Card PCB RoHS
1	HDMI1.4 UL20276(26#1P+A+D+MY)*5+26#4CA+B(128BAM) OD:8.5MM BLACK(1101) 20000 RoHS

C	CHANGE PCB FIRST EDITION	CJAN	04/03/2011										
REV. ECR	DESCRIPTION	C.N.	DATE										
<small>THESE DRAWINGS AND SPECIFICATIONS ARE PROPERTY OF CHEETAH GEAR PTE AND SHALL NOT BE REPRODUCED, COPIED OR USED IN ANY MANNER WITHOUT THE PRIOR WRITTEN CONSENT OF CHEETAH GEAR PTE.</small>													
<small>DIMENSIONS ARE IN MILLIMETERS ANGULAR TOLERANCE: ±1.0°</small>		<b>TITLE</b> HDMI1.4 ACTIVE CABLE 20M											
<table border="1"> <thead> <tr> <th>DIMENSIONS</th> <th>TOLERANCE</th> </tr> </thead> <tbody> <tr> <td>0.00 TO 30.00mm</td> <td>±0.10mm</td> </tr> <tr> <td>30.01 TO 80.00mm</td> <td>±0.13mm</td> </tr> <tr> <td>80.01 TO 150.00mm</td> <td>±0.15mm</td> </tr> <tr> <td>150.01mm</td> <td>±0.20mm</td> </tr> </tbody> </table>		DIMENSIONS	TOLERANCE	0.00 TO 30.00mm	±0.10mm	30.01 TO 80.00mm	±0.13mm	80.01 TO 150.00mm	±0.15mm	150.01mm	±0.20mm	CHKD. _____ CONF. _____ DR. CJAN APPD. _____ PART NO. <b>XXXX</b>	SCALE _____ SHEET <b>1/1</b> UNIT MM SIZE <b>A4</b> REV. <b>C</b>
DIMENSIONS	TOLERANCE												
0.00 TO 30.00mm	±0.10mm												
30.01 TO 80.00mm	±0.13mm												
80.01 TO 150.00mm	±0.15mm												
150.01mm	±0.20mm												